



UNIVERSITY OF CAMBRIDGE INTERNATIONAL EXAMINATIONS
 General Certificate of Education
 Advanced Subsidiary Level and Advanced Level

CANDIDATE
 NAME

CENTRE
 NUMBER

--	--	--	--	--

CANDIDATE
 NUMBER

--	--	--	--



PHYSICS

9702/22

Paper 2 AS Structured Questions

May/June 2011

1 hour

Candidates answer on the Question Paper.

No Additional Materials are required.

READ THESE INSTRUCTIONS FIRST

Write your Centre number, candidate number and name on all the work you hand in.

Write in dark blue or black pen.

You may use a soft pencil for any diagrams, graphs or rough working.

Do not use staples, paper clips, highlighters, glue or correction fluid.

DO NOT WRITE IN ANY BARCODES.

Answer **all** questions.

You may lose marks if you do not show your working or if you do not use appropriate units.

At the end of the examination, fasten all your work securely together.

The number of marks is given in brackets [] at the end of each question or part question.

For Examiner's Use	
1	
2	
3	
4	
5	
6	
Total	

This document consists of **15** printed pages and **1** blank page.



Data

speed of light in free space,	$c = 3.00 \times 10^8 \text{ m s}^{-1}$
permeability of free space,	$\mu_0 = 4\pi \times 10^{-7} \text{ H m}^{-1}$
permittivity of free space,	$\epsilon_0 = 8.85 \times 10^{-12} \text{ F m}^{-1}$
elementary charge,	$e = 1.60 \times 10^{-19} \text{ C}$
the Planck constant,	$h = 6.63 \times 10^{-34} \text{ J s}$
unified atomic mass constant,	$u = 1.66 \times 10^{-27} \text{ kg}$
rest mass of electron,	$m_e = 9.11 \times 10^{-31} \text{ kg}$
rest mass of proton,	$m_p = 1.67 \times 10^{-27} \text{ kg}$
molar gas constant,	$R = 8.31 \text{ J K}^{-1} \text{ mol}^{-1}$
the Avogadro constant,	$N_A = 6.02 \times 10^{23} \text{ mol}^{-1}$
the Boltzmann constant,	$k = 1.38 \times 10^{-23} \text{ J K}^{-1}$
gravitational constant,	$G = 6.67 \times 10^{-11} \text{ N m}^2 \text{ kg}^{-2}$
acceleration of free fall,	$g = 9.81 \text{ m s}^{-2}$

Formulae

uniformly accelerated motion,	$s = ut + \frac{1}{2}at^2$ $v^2 = u^2 + 2as$
work done on/by a gas,	$W = p\Delta V$
gravitational potential,	$\phi = -\frac{Gm}{r}$
hydrostatic pressure,	$p = \rho gh$
pressure of an ideal gas,	$p = \frac{1}{3} \frac{Nm}{V} \langle c^2 \rangle$
simple harmonic motion,	$a = -\omega^2 x$
velocity of particle in s.h.m.,	$v = v_0 \cos \omega t$ $v = \pm \omega \sqrt{(x_0^2 - x^2)}$
electric potential,	$V = \frac{Q}{4\pi\epsilon_0 r}$
capacitors in series,	$1/C = 1/C_1 + 1/C_2 + \dots$
capacitors in parallel,	$C = C_1 + C_2 + \dots$
energy of charged capacitor,	$W = \frac{1}{2} QV$
resistors in series,	$R = R_1 + R_2 + \dots$
resistors in parallel,	$1/R = 1/R_1 + 1/R_2 + \dots$
alternating current/voltage,	$x = x_0 \sin \omega t$
radioactive decay,	$x = x_0 \exp(-\lambda t)$
decay constant,	$\lambda = \frac{0.693}{t_{\frac{1}{2}}}$

Answer **all** the questions in the spaces provided.

For
Examiner's
Use

- 1 (a) Distinguish between *scalar* quantities and *vector* quantities.

.....

 [2]

- (b) In the following list, underline **all** the scalar quantities.

acceleration force kinetic energy mass power weight [1]

- (c) A stone is thrown with a horizontal velocity of 20 m s^{-1} from the top of a cliff 15 m high. The path of the stone is shown in Fig. 1.1.

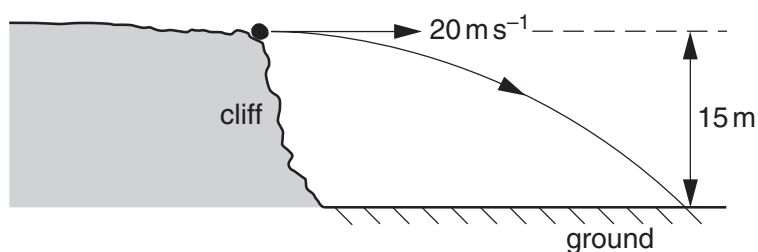


Fig. 1.1

Air resistance is negligible.

For this stone,

- (i) calculate the time to fall 15 m,

time = s [2]

- (ii) calculate the magnitude of the resultant velocity after falling 15 m,

resultant velocity = m s^{-1} [3]

(iii) describe the difference between the displacement of the stone and the distance that it travels.

*For
Examiner's
Use*

.....

.....

..... [2]

- 2 (a) A sphere of radius R is moving through a fluid with constant speed v . There is a frictional force F acting on the sphere, which is given by the expression

$$F = 6\pi DRv$$

where D depends on the fluid.

- (i) Show that the SI base units of the quantity D are $\text{kg m}^{-1} \text{s}^{-1}$.

For
Examiner's
Use

[3]

- (ii) A raindrop of radius 1.5 mm falls vertically in air at a velocity of 3.7 m s^{-1} . The value of D for air is $6.6 \times 10^{-4} \text{ kg m}^{-1} \text{ s}^{-1}$. The density of water is 1000 kg m^{-3} .

Calculate

1. the magnitude of the frictional force F ,

$$F = \dots\dots\dots \text{ N [1]}$$

2. the acceleration of the raindrop.

$$\text{acceleration} = \dots\dots\dots \text{ m s}^{-2} [3]$$

(b) The variation with time t of the speed v of the raindrop in (a) is shown in Fig. 2.1.

For
Examiner's
Use

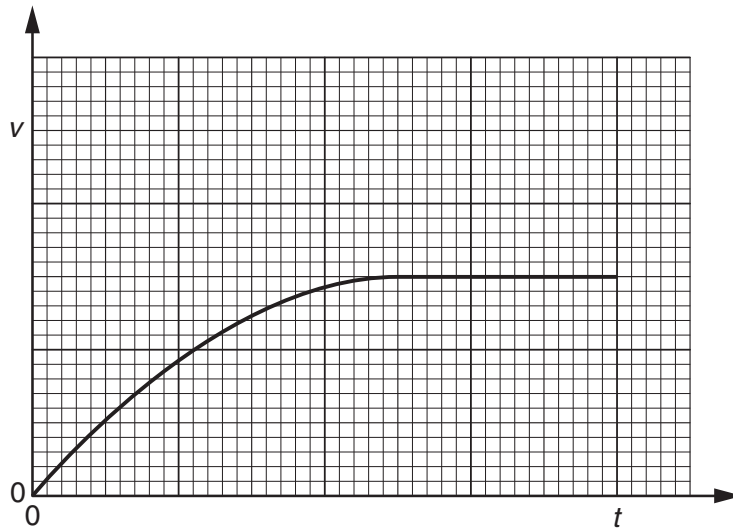


Fig. 2.1

(i) State the variation with time of the **acceleration** of the raindrop.

.....

.....

.....

.....

..... [3]

(ii) A second raindrop has a radius that is smaller than that given in (a). On Fig. 2.1, sketch the variation of speed with time for this second raindrop. [2]

- 3 (a) (i) Explain what is meant by *work done*.

.....
 [1]

- (ii) Define *power*.

.....
 [1]

- (b) Fig. 3.1 shows part of a fairground ride with a carriage on rails.

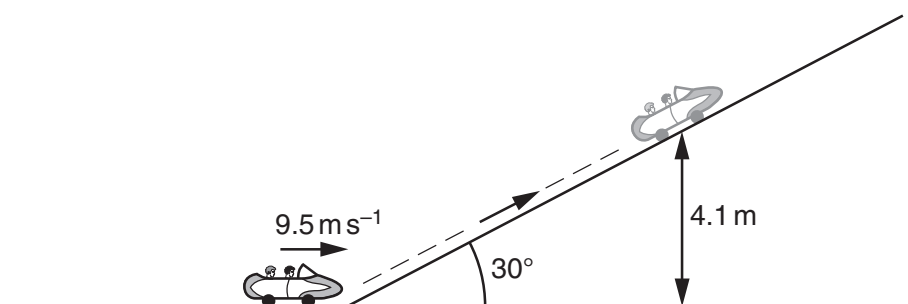


Fig. 3.1

The carriage and passengers have a total mass of 600 kg . The carriage is travelling at a speed of 9.5 m s^{-1} towards a slope inclined at 30° to the horizontal. The carriage comes to rest after travelling up the slope to a vertical height of 4.1 m .

- (i) Calculate the kinetic energy, in kJ, of the carriage and passengers as they travel towards the slope.

kinetic energy = kJ [3]

- (ii) Show that the gain in potential energy of the carriage and passengers is 24 kJ .

[2]

- (iii) Calculate the work done against the resistive force as the carriage moves up the slope.

*For
Examiner's
Use*

work done = kJ [1]

- (iv) Use your answer in (iii) to calculate the resistive force acting against the carriage as it moves up the slope.

resistive force = N [2]

4 A student measures the Young modulus of a metal in the form of a wire.

For
Examiner's
Use

(a) Describe, with the aid of a diagram, the apparatus that could be used.

.....
.....
.....
..... [2]

(b) Describe the method used to obtain the required measurements.

.....
.....
.....
.....
.....
.....
.....
.....
.....
..... [4]

(c) Describe how the measurements taken can be used to determine the Young modulus.

*For
Examiner's
Use*

.....

.....

.....

.....

.....

.....

.....

.....

.....

.....

.....

.....

.....

.....

.....

.....

.....

.....

.....

.....

.....

.....

..... [4]

5 (a) For a cell, explain the terms

(i) *electromotive force (e.m.f.),*

.....
 [1]

(ii) *internal resistance.*

.....
 [1]

(b) The circuit of Fig. 5.1 shows two batteries A and B and a resistor R connected in series.

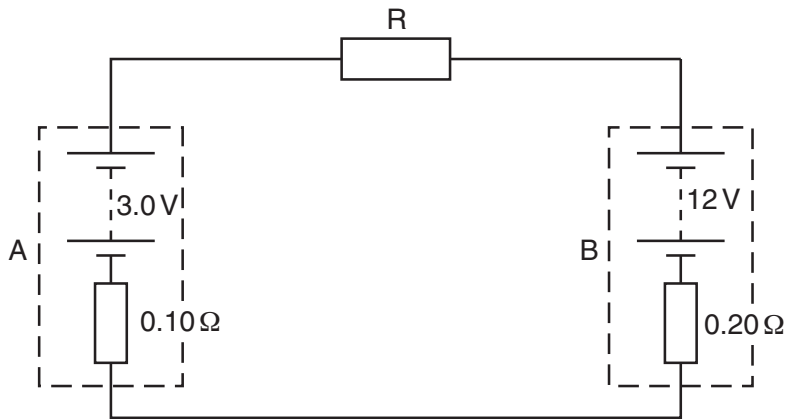


Fig. 5.1

Battery A has an e.m.f. of 3.0V and an internal resistance of 0.10Ω. Battery B has an e.m.f. of 12V and an internal resistance of 0.20Ω. Resistor R has a resistance of 3.3Ω.

(i) Apply Kirchoff's second law to calculate the current in the circuit.

current = A [2]

(ii) Calculate the power transformed by battery B.

power = W [2]

- (iii) Calculate the total energy lost per second in resistor R and the internal resistances.

For
Examiner's
Use

energy lost per second = Js^{-1} [2]

- (c) The circuit of Fig. 5.1 may be used to store energy in battery A. Suggest how your answers in (b) support this statement.

.....
.....
..... [1]

- 6 (a) Apparatus used to produce interference fringes is shown in Fig. 6.1. The apparatus is not drawn to scale.

For
Examiner's
Use

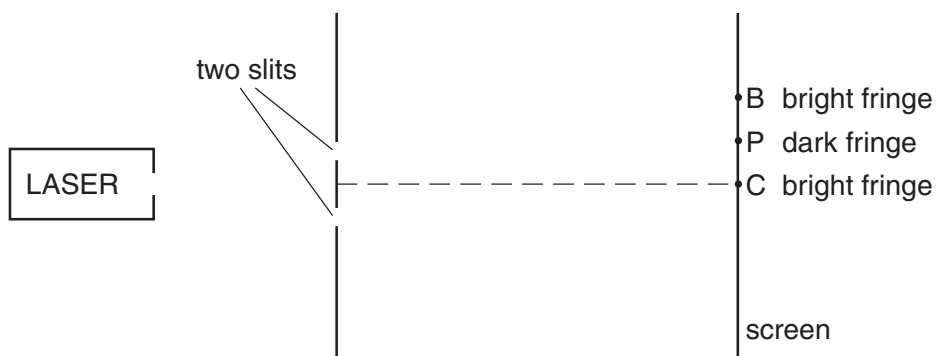


Fig. 6.1 (not to scale)

Laser light is incident on two slits. The laser provides light of a single wavelength. The light from the two slits produces a fringe pattern on the screen. A bright fringe is produced at C and the next bright fringe is at B. A dark fringe is produced at P.

- (i) Explain why one laser and two slits are used, instead of two lasers, to produce a visible fringe pattern on the screen.

.....
 [1]

- (ii) State the phase difference between the waves that meet at

1. B [1]

2. P [1]

- (iii) 1. State the *principle of superposition*.

.....

 [2]

2. Use the principle of superposition to explain the dark fringe at P.

.....
 [1]

- (b) In Fig. 6.1 the distance from the two slits to the screen is 1.8 m. The distance CP is 2.3 mm and the distance between the slits is 0.25 mm. Calculate the wavelength of the light provided by the laser.

*For
Examiner's
Use*

wavelength = nm [3]

BLANK PAGE

Permission to reproduce items where third-party owned material protected by copyright is included has been sought and cleared where possible. Every reasonable effort has been made by the publisher (UCLES) to trace copyright holders, but if any items requiring clearance have unwittingly been included, the publisher will be pleased to make amends at the earliest possible opportunity.

University of Cambridge International Examinations is part of the Cambridge Assessment Group. Cambridge Assessment is the brand name of University of Cambridge Local Examinations Syndicate (UCLES), which is itself a department of the University of Cambridge.