



UNIVERSITY OF CAMBRIDGE INTERNATIONAL EXAMINATIONS
 General Certificate of Education
 Advanced Subsidiary Level and Advanced Level

CANDIDATE
 NAME

CENTRE
 NUMBER

| | | | | |
|--|--|--|--|--|
| | | | | |
|--|--|--|--|--|

CANDIDATE
 NUMBER

| | | | |
|--|--|--|--|
| | | | |
|--|--|--|--|



PHYSICS

Paper 2 AS Structured Questions

9702/21

May/June 2009

1 hour

Candidates answer on the Question Paper.

No Additional Materials are required.

READ THESE INSTRUCTIONS FIRST

Write your Centre number, candidate number and name on all the work you hand in.

Write in dark blue or black pen.

You may use a soft pencil for any diagrams, graphs or rough working.

Do not use staples, paper clips, highlighters, glue or correction fluid.

DO NOT WRITE IN ANY BARCODES.

Answer **all** questions.

You may lose marks if you do not show your working or if you do not use appropriate units.

At the end of the examination, fasten all your work securely together.

The number of marks is given in brackets [] at the end of each question or part question.

| For Examiner's Use | |
|--------------------|--|
| 1 | |
| 2 | |
| 3 | |
| 4 | |
| 5 | |
| 6 | |
| 7 | |
| 8 | |
| Total | |

This document consists of **16** printed pages.



Data

| | |
|-------------------------------|--|
| speed of light in free space, | $c = 3.00 \times 10^8 \text{ m s}^{-1}$ |
| permeability of free space, | $\mu_0 = 4\pi \times 10^{-7} \text{ H m}^{-1}$ |
| permittivity of free space, | $\epsilon_0 = 8.85 \times 10^{-12} \text{ F m}^{-1}$ |
| elementary charge, | $e = 1.60 \times 10^{-19} \text{ C}$ |
| the Planck constant, | $h = 6.63 \times 10^{-34} \text{ J s}$ |
| unified atomic mass constant, | $u = 1.66 \times 10^{-27} \text{ kg}$ |
| rest mass of electron, | $m_e = 9.11 \times 10^{-31} \text{ kg}$ |
| rest mass of proton, | $m_p = 1.67 \times 10^{-27} \text{ kg}$ |
| molar gas constant, | $R = 8.31 \text{ J K}^{-1} \text{ mol}^{-1}$ |
| the Avogadro constant, | $N_A = 6.02 \times 10^{23} \text{ mol}^{-1}$ |
| the Boltzmann constant, | $k = 1.38 \times 10^{-23} \text{ J K}^{-1}$ |
| gravitational constant, | $G = 6.67 \times 10^{-11} \text{ N m}^2 \text{ kg}^{-2}$ |
| acceleration of free fall, | $g = 9.81 \text{ m s}^{-2}$ |

Formulae

| | |
|---------------------------------|--|
| uniformly accelerated motion, | $s = ut + \frac{1}{2}at^2$ $v^2 = u^2 + 2as$ |
| work done on/by a gas, | $W = p\Delta V$ |
| gravitational potential, | $\phi = -\frac{Gm}{r}$ |
| hydrostatic pressure, | $p = \rho gh$ |
| pressure of an ideal gas, | $p = \frac{1}{3} \frac{Nm}{V} \langle c^2 \rangle$ |
| simple harmonic motion, | $a = -\omega^2 x$ |
| velocity of particle in s.h.m., | $v = v_0 \cos \omega t$ $v = \pm \omega \sqrt{(x_0^2 - x^2)}$ |
| electric potential, | $V = \frac{Q}{4\pi\epsilon_0 r}$ |
| capacitors in series, | $1/C = 1/C_1 + 1/C_2 + \dots$ |
| capacitors in parallel, | $C = C_1 + C_2 + \dots$ |
| energy of charged capacitor, | $W = \frac{1}{2} QV$ |
| resistors in series, | $R = R_1 + R_2 + \dots$ |
| resistors in parallel, | $1/R = 1/R_1 + 1/R_2 + \dots$ |
| alternating current/voltage, | $x = x_0 \sin \omega t$ |
| radioactive decay, | $x = x_0 \exp(-\lambda t)$ |
| decay constant, | $\lambda = \frac{0.693}{t_{\frac{1}{2}}}$ |

Answer **all** the questions in the spaces provided.

For
Examiner's
Use

1 (a) State the most appropriate instrument, or instruments, for the measurement of the following.

(i) the diameter of a wire of diameter about 1 mm

..... [1]

(ii) the resistance of a filament lamp

..... [1]

(iii) the peak value of an alternating voltage

..... [1]

(b) The mass of a cube of aluminium is found to be 580g with an uncertainty in the measurement of 10g. Each side of the cube has a length of (6.0 ± 0.1) cm.

Calculate the density of aluminium with its uncertainty. Express your answer to an appropriate number of significant figures.

density = \pm g cm^{-3} [5]

- 2 A ball B of mass 1.2 kg travelling at constant velocity collides head-on with a stationary ball S of mass 3.6 kg, as shown in Fig. 2.1.



Fig. 2.1

Frictional forces are negligible.

The variation with time t of the velocity v of ball B before, during and after colliding with ball S is shown in Fig. 2.2.

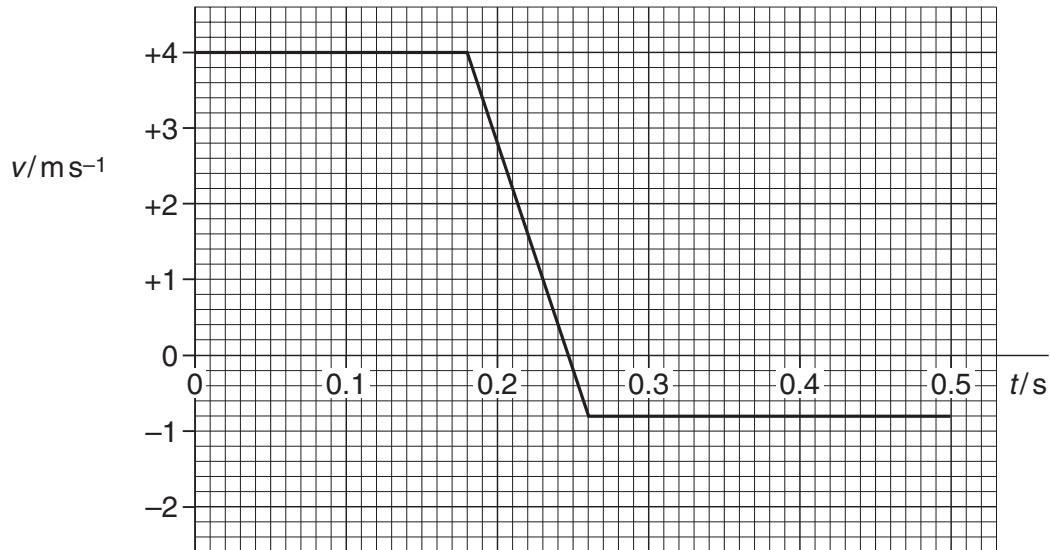


Fig. 2.2

- (a) State the significance of positive and negative values for v in Fig. 2.2.

.....
 [1]

(b) Use Fig. 2.2 to determine, for ball B during the collision with ball S,

(i) the change in momentum of ball B,

For
Examiner's
Use

change in momentum = N s [3]

(ii) the magnitude of the force acting on ball B.

force = N [3]

(c) Calculate the speed of ball S after the collision.

speed = ms^{-1} [2]

(d) Using your answer in (c) and information from Fig. 2.2, deduce quantitatively whether the collision is elastic or inelastic.

*For
Examiner's
Use*

.....

..... [2]

3 (a) Define the *torque* of a couple.

.....

.....

..... [2]

(b) A torque wrench is a type of spanner for tightening a nut and bolt to a particular torque, as illustrated in Fig. 3.1.

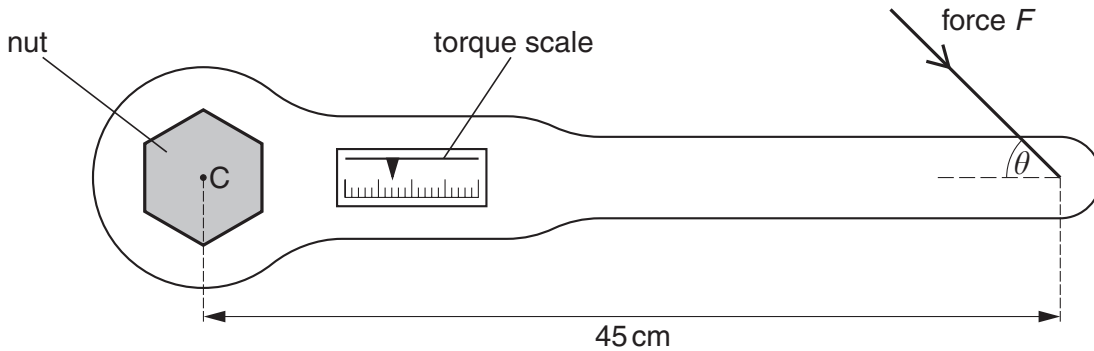


Fig. 3.1

The wrench is put on the nut and a force is applied to the handle. A scale indicates the torque applied.

The wheel nuts on a particular car must be tightened to a torque of 130Nm. This is achieved by applying a force F to the wrench at a distance of 45cm from its centre of rotation C . This force F may be applied at any angle θ to the axis of the handle, as shown in Fig. 3.1.

For the minimum value of F to achieve this torque,

(i) state the magnitude of the angle θ that should be used,

$\theta = \dots\dots\dots^\circ$ [1]

(ii) calculate the magnitude of F .

$F = \dots\dots\dots$ N [2]

- 4 A spring having spring constant k hangs vertically from a fixed point. A load of weight L , when hung from the spring, causes an extension e . The elastic limit of the spring is not exceeded.

For
Examiner's
Use

(a) State

- (i) what is meant by an *elastic deformation*,

.....
.....
..... [2]

- (ii) the relation between k , L and e .

..... [1]

Question 4 continues on page 10

(b) Some identical springs, each with spring constant k , are arranged as shown in Fig. 4.1.

For
Examiner's
Use

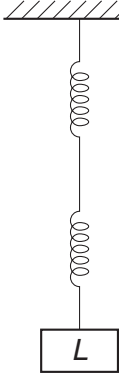
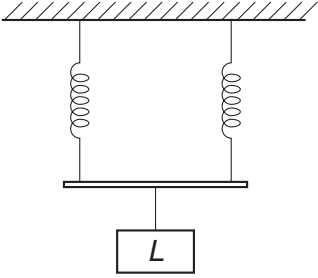
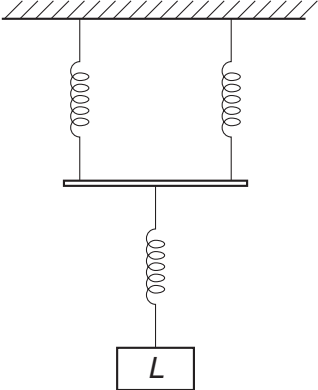
| arrangement | total extension | spring constant of arrangement |
|---|-----------------|--------------------------------|
|  | <p>.....</p> | <p>.....</p> |
|  | <p>.....</p> | <p>.....</p> |
|  | <p>.....</p> | <p>.....</p> |

Fig. 4.1

The load on each of the arrangements is L .

For each arrangement in Fig. 4.1, complete the table by determining

- (i) the total extension in terms of e ,
- (ii) the spring constant in terms of k .

[5]

5 Two sources S_1 and S_2 of sound are situated 80 cm apart in air, as shown in Fig. 5.1.

For
Examiner's
Use

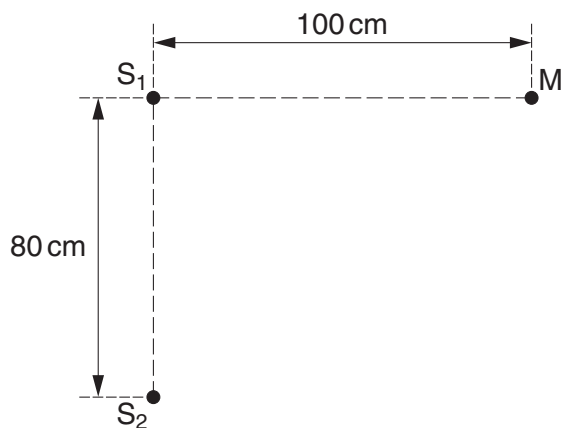


Fig. 5.1

The frequency of vibration can be varied. The two sources always vibrate in phase but have different amplitudes of vibration.

A microphone M is situated a distance 100 cm from S_1 along a line that is normal to S_1S_2 .

As the frequency of S_1 and S_2 is gradually increased, the microphone M detects maxima and minima of intensity of sound.

(a) State the two conditions that must be satisfied for the intensity of sound at M to be zero.

1.
-
2.
-

[2]

(b) The speed of sound in air is 330 ms^{-1} .

The frequency of the sound from S_1 and S_2 is increased. Determine the number of minima that will be detected at M as the frequency is increased from 1.0 kHz to 4.0 kHz.

number = [4]

- 6 Two vertical parallel metal plates are situated 2.50 cm apart in a vacuum. The potential difference between the plates is 350 V, as shown in Fig. 6.1.

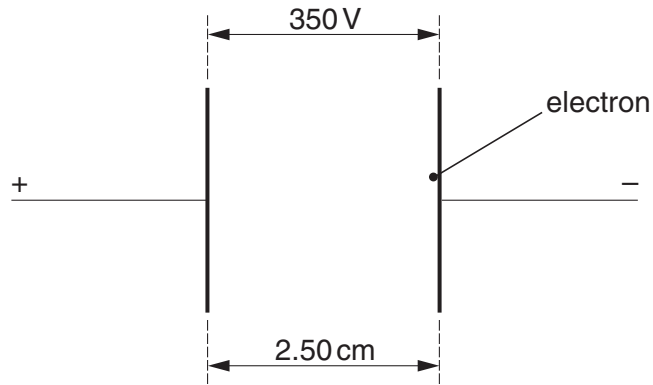


Fig. 6.1

An electron is initially at rest close to the negative plate and in the uniform electric field between the plates.

- (a) (i) Calculate the magnitude of the electric field between the plates.

electric field strength = NC^{-1} [2]

- (ii) Show that the force on the electron due to the electric field is $2.24 \times 10^{-15} \text{ N}$.

[2]

(b) The electron accelerates horizontally across the space between the plates. Determine

For
Examiner's
Use

(i) the horizontal acceleration of the electron,

acceleration = ms^{-2} [2]

(ii) the time to travel the horizontal distance of 2.50 cm between the plates.

time = s [2]

(c) Explain why gravitational effects on the electron need not be taken into consideration in your calculation in (b).

.....
.....
..... [2]

7 A network of resistors, each of resistance R , is shown in Fig. 7.1.

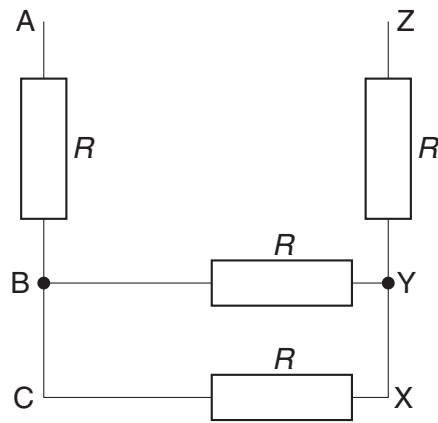


Fig. 7.1

(a) Calculate the total resistance, in terms of R , between points

(i) A and C,

resistance = [1]

(ii) B and X,

resistance = [1]

(iii) A and Z.

resistance = [1]

- (b) Two cells of e.m.f. E_1 and E_2 and negligible internal resistance are connected into the network in (a), as shown in Fig. 7.2.

For
Examiner's
Use

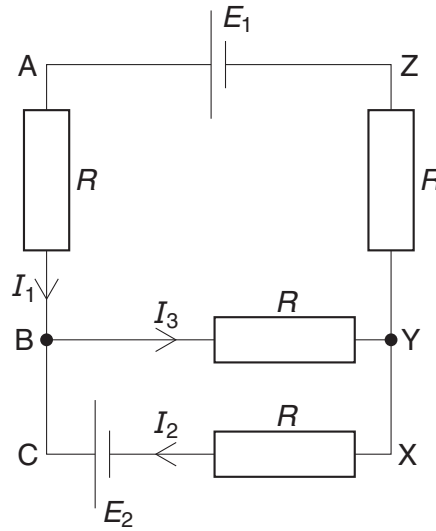


Fig. 7.2

The currents in the network are as indicated in Fig. 7.2.

Use Kirchhoff's laws to state the relation

- (i) between currents I_1 , I_2 and I_3 ,

..... [1]

- (ii) between E_2 , R , I_2 and I_3 in loop BCXYB,

..... [1]

- (iii) between E_1 , E_2 , R , I_1 and I_2 in loop ABCXYZA.

..... [1]

- 8 The spontaneous and random decay of a radioactive substance involves the emission of either α -radiation or β -radiation and/or γ -radiation.

For
Examiner's
Use

- (a) Explain what is meant by *spontaneous* decay.

.....

 [2]

- (b) State the type of emission, one in each case, that

- (i) is not affected by electric and magnetic fields,

..... [1]

- (ii) produces the greatest density of ionisation in a medium,

..... [1]

- (iii) does not directly result in a change in the proton number of the nucleus,

..... [1]

- (iv) has a range of energies, rather than discrete values.

..... [1]

Permission to reproduce items where third-party owned material protected by copyright is included has been sought and cleared where possible. Every reasonable effort has been made by the publisher (UCLES) to trace copyright holders, but if any items requiring clearance have unwittingly been included, the publisher will be pleased to make amends at the earliest possible opportunity.

University of Cambridge International Examinations is part of the Cambridge Assessment Group. Cambridge Assessment is the brand name of University of Cambridge Local Examinations Syndicate (UCLES), which is itself a department of the University of Cambridge.